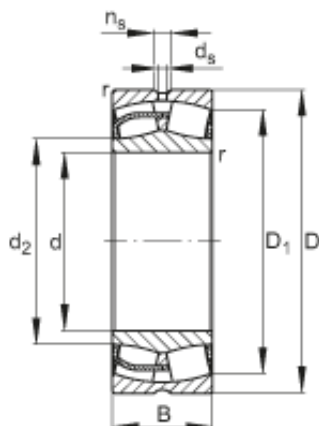




BEARINGS OF AMERICA CORP.



220 mm x 370 mm x 120 mm FAG 23144-E1 Spherical Roller Bearings

Bearing No. 23144-E1

23144-E1 Bearing 2D drawings and 3D CAD models

Size	220x370x120 mm
Bore Diameter	220 mm
Outer Diameter	370 mm
Width	120 mm
d	220 mm
D	370 mm
B	120 mm
D ₁	323 mm
D _{a max}	353 mm
d ₂	254,8 mm
d _{a min}	237 mm
d _s	9,5 mm
n _s	17,7 mm
r _{a max}	3 mm
r _{min}	4 mm
m	52,2 kg / Weight
C _r	1850000 N / Dynamic load rating (radial)
e	0,31
Y ₁	2,15
Y ₂	3,2
C _{0r}	2700000 N / Static load rating (radial)
Y ₀	2,1



BEARINGS OF AMERICA CORP.

n_G	1860 1/min / Limiting speed
n_B	1100 1/min
C_{ur}	164000 N / Fatigue limit load, radial